

9/7/2023 3:02 PM

INSTALLATION NOTES:

- ONE (1) INSTALLATION ANCHOR IS REQUIRED AT EACH ANCHOR LOCATION SHOWN UNLESS OTHERWISE NOTED.
- THE NUMBER OF INSTALLATION ANCHORS DEPICTED IS THE MINIMUM NUMBER OF ANCHORS TO BE USED FOR PRODUCT INSTALLATION.
- INSTALL INDIVIDUAL INSTALLATION ANCHORS WITHIN A TOLERANCE OF ±1/2 INCH OF THE DEPICTED LOCATION IN THE ANCHOR LAYOUT DETAIL (I.E., WITHOUT CONSIDERATION OF TOLERANCES). TOLERANCES ARE NOT CUMULATIVE FROM ONE INSTALLATION ANCHOR TO THE NEXT.
- SHIM AS REQUIRED AT EACH INSTALLATION ANCHOR WITH LOAD BEARING SHIM(S). MAXIMUM ALLOWABLE SHIM STACK TO BE 1/4 INCH. SHIM WHERE SPACE OF 1/16 INCH OR GREATER OCCURS. SHIM(S) SHALL BE CONSTRUCTED OF HIGH DENSITY PLASTIC OR BETTER.
- FOR INSTALLATION INTO WOOD FRAMING USE **#14 WOOD SCREWS** OF SUFFICIENT LENGTH TO ACHIEVE 1 1/2 INCH MINIMUM EMBEDMENT INTO WOOD SUBSTRATE.
- FOR INSTALLATION THROUGH 1X BUCK TO CONCRETE/MASONRY, OR DIRECTLY INTO CONCRETE/MASONRY, USE **1/4 INCH DIAMETER ITW TAPCONS** OF SUFFICIENT LENGTH TO ACHIEVE 1 1/4 INCH MINIMUM EMBEDMENT.
- FOR INSTALLATION INTO STEEL STUD FRAME USE **#14 GR. 5 SELF-TAPPING SCREWS** OF SUFFICIENT LENGTH TO ACHIEVE A MINIMUM 3 THREADS PENETRATION BEYOND STEEL STRUCTURE.
- FOR INSTALLATION ANCHORS THROUGH HINGES ONLY USE **#12 WOOD SCREWS, 3/16 INCH DIAMETER ITW TAPCONS, OR #12 SELF-TAPPING SCREWS** THROUGH EACH OF THE 3 HINGES ADHERING TO EMBEDMENT & EDGE DISTANCE REQUIREMENTS LISTED IN NOTES 5-7 ABOVE. USE ADDITIONAL **#14 WOOD SCREWS, 1/4 INCH DIAMETER ITW TAPCONS, OR #14 SELF-TAPPING SCREWS** THROUGH THE FRAME.
- MINIMUM EMBEDMENT AND EDGE DISTANCE EXCLUDE WALL FINISHES, INCLUDING BUT NOT LIMITED TO STUCCO, FOAM, BRICK VENEER, AND SIDING.
- INSTALLATION ANCHORS AND ASSOCIATED HARDWARE MUST BE MADE OF CORROSION RESISTANT MATERIAL OR HAVE A CORROSION RESISTANT COATING.
- FOR HOLLOW BLOCK AND GROUT FILLED BLOCK, DO NOT INSTALL INSTALLATION ANCHORS INTO MORTAR JOINTS. EDGE DISTANCE IS MEASURED FROM FREE EDGE OF BLOCK OR EDGE OF MORTAR JOINT INTO FACE SHELL OF BLOCK.
- INSTALLATION ANCHORS SHALL BE INSTALLED IN ACCORDANCE WITH ANCHOR MANUFACTURER'S INSTALLATION INSTRUCTIONS, AND ANCHORS SHALL NOT BE USED IN SUBSTRATES WITH STRENGTHS LESS THAN THE MINIMUM STRENGTH SPECIFIED BY THE ANCHOR MANUFACTURER.
- INSTALLATION ANCHOR CAPACITIES FOR PRODUCTS HEREIN ARE BASED ON SUBSTRATE MATERIALS WITH THE FOLLOWING PROPERTIES:
  - WOOD - MINIMUM SPECIFIC GRAVITY OF 0.55.
  - CONCRETE - MINIMUM COMPRESSIVE STRENGTH OF 3000 PSI.
  - MASONRY - STRENGTH CONFORMANCE TO ASTM C-90.
  - STEEL - MINIMUM YIELD STRENGTH OF 33 KSI. MINIMUM WALL THICKNESS OF 48 MILS (18 GAUGE).

# PLYCO CORPORATION

## SERIES 20EV FLUSH STEEL OUTSWING DOOR (NON-HVHZ) (NON-IMPACT)

GENERAL NOTES:

- THE PRODUCT SHOWN HEREIN IS DESIGNED AND MANUFACTURED TO COMPLY WITH THE CURRENT FLORIDA BUILDING CODE (FBC), **EXCLUDING** HVHZ AND HAS BEEN EVALUATED ACCORDING TO THE FOLLOWING:
  - ASTM E330-14
- ADEQUACY OF THE EXISTING STRUCTURAL CONCRETE/MASONRY AND 2X FRAMING AS A MAIN WIND FORCE RESISTING SYSTEM CAPABLE OF WITHSTANDING AND TRANSFERRING APPLIED PRODUCT LOADS TO THE FOUNDATION IS THE RESPONSIBILITY OF THE ENGINEER OR ARCHITECT OF RECORD FOR THE PROJECT OF INSTALLATION.
- 1X AND 2X BUCKS (WHEN USED) SHALL BE DESIGNED AND ANCHORED TO PROPERLY TRANSFER ALL LOADS TO THE STRUCTURE. BUCK DESIGN AND INSTALLATION IS THE RESPONSIBILITY OF THE ENGINEER OR ARCHITECT OF RECORD FOR THE PROJECT OF INSTALLATION.
- THE INSTALLATION DETAILS DESCRIBED HEREIN ARE GENERIC AND MAY NOT REFLECT ACTUAL CONDITIONS FOR A SPECIFIC SITE. IF SITE CONDITIONS CAUSE INSTALLATION TO DEVIATE FROM THE REQUIREMENTS DETAILED HEREIN, A LICENSED ENGINEER OR ARCHITECT SHALL PREPARE SITE SPECIFIC DOCUMENTS FOR USE WITH THIS DOCUMENT.
- APPROVED IMPACT PROTECTIVE SYSTEM **IS REQUIRED** ON THIS PRODUCT IN AREAS REQUIRING IMPACT RESISTANCE.
- FRAME MATERIAL: ALUMINUM 6063-T5 & CS-B STEEL
- DISSIMILAR METALS INCLUDING FASTENERS THAT MAY COME INTO CONTACT WITH ALUMINUM UNIT FRAMING SHALL BE PROTECTED AS DEFINED IN THE FBC.
- ALL EXPOSED STEEL COMPONENTS ARE GALVANIZED AND SHOP PRIMED.

TABLE OF CONTENTS	
SHEET	SHEET DESCRIPTION
1	INSTALLATION & GENERAL NOTES
2	ELEVATION & ANCHOR LAYOUT
3	VERTICAL SECTIONS
4	HORIZONTAL SECTIONS
5	COMPONENTS & BILL OF MATERIALS

DESIGN PRESSURE RATING				
LOCK TYPE	FRAME SIZE	DESIGN PRESSURE		MISSILE IMPACT RATING
w/ PANIC BAR HARDWARE	51.88" X 85.38"	+25.0*	-20.0 PSF	W/O WATER INFILTRATION NON-IMPACT

\*UNIT SHALL BE INSTALLED AT LOCATION PROTECTED BY OVERHANG SUCH THAT THE OVERHANG RATIO (OH) = OH LENGTH/OH HEIGHT IS GREATER THAN 1.0 WHERE WATER INFILTRATION IS REQUIRED.



PLYCO CORPORATION  
P.O. BOX 386  
500 INDUSTRIAL RD.  
ELKHART LAKE, WI 53020  
PH: (920) 876-3611 FAX: (920) 876-3527

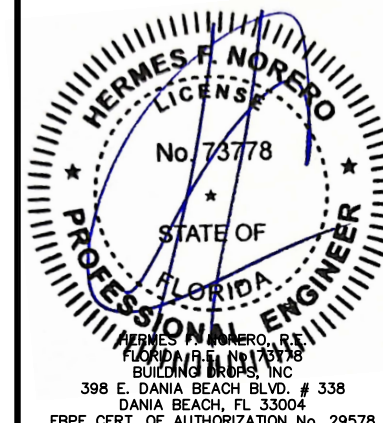
TITLE: SERIES 20EV FLUSH STEEL OUTSWING DOOR (NON-HVHZ) (NON-IMPACT)  
INSTALLATION & GENERAL NOTES

PREPARED BY: BUILDING DROPS, INC.  
398 E. DANIA BEACH BLVD., STE. 338  
DANIA BEACH, FL 33004  
PH: (954)399-8478  
FAX: (954)744-4738  
WEB: www.buildingdrops.com



REMARKS	BY	DATE
FBC 2023 REVISION	FB	09/06/23

THE INSTALLATION DETAILS DESCRIBED HEREIN ARE GENERIC AND MAY NOT REFLECT ACTUAL CONDITIONS FOR A SPECIFIC SITE. IF SITE CONDITIONS CAUSE INSTALLATION TO DEVIATE FROM THE REQUIREMENTS DETAILED HEREIN, A LICENSED ENGINEER OR ARCHITECT SHALL PREPARE SITE SPECIFIC DOCUMENTS FOR USE WITH THIS DOCUMENT.



FL #:

FL15336

DATE: 01.30.12

DWG. BY: JLA  
CHK. BY: HFN

SCALE: NTS

DWG. #: PCO008

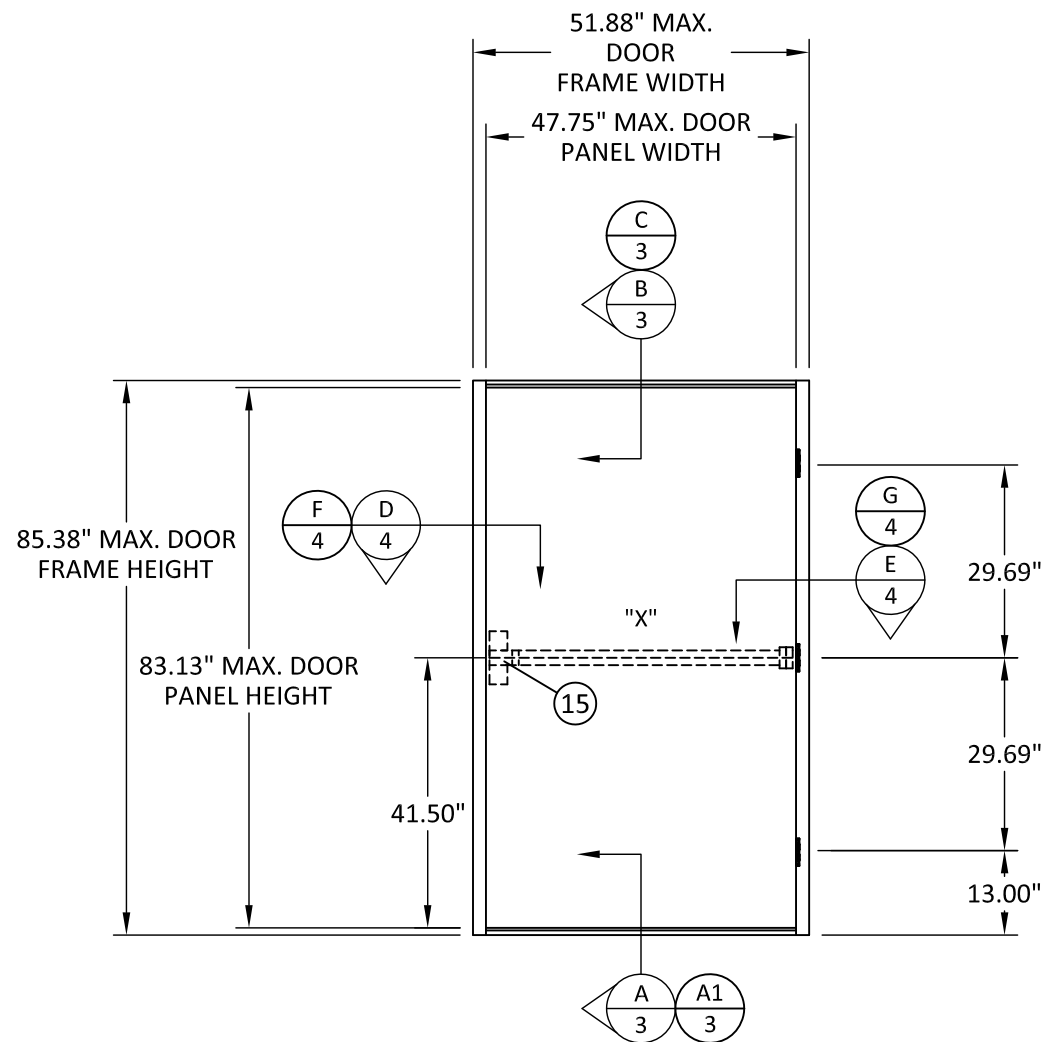
SHEET:

1

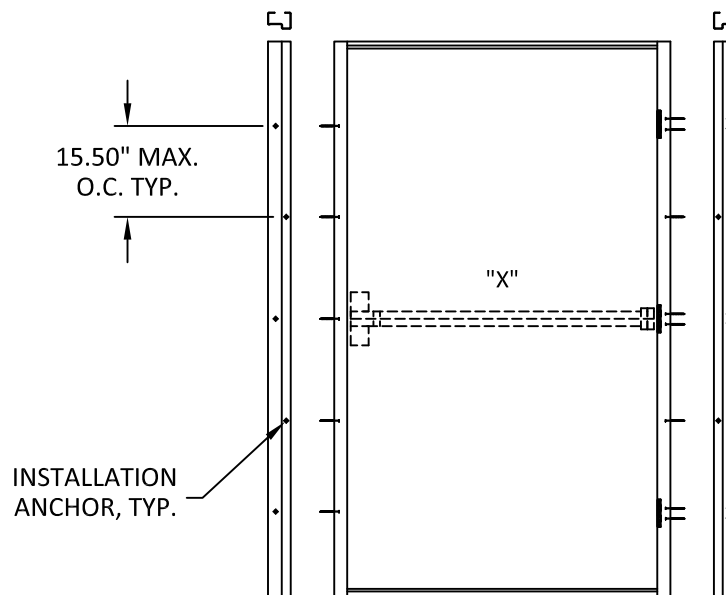
OF 5

z:\projects\plyco corp\cc-23-0752 - 2023 code change - series 20ev\dwgs\pco008-fbc2023.dwg

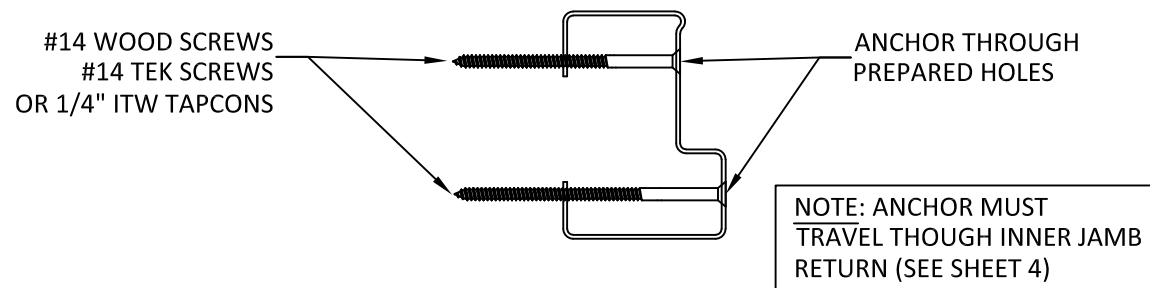
9/7/2023 3:02 PM  
 z:\projects\plyco corp\cc-23-0752 - 2023 code change - series 20ev\dwgs\pco008\pco008-fbc2023.dwg



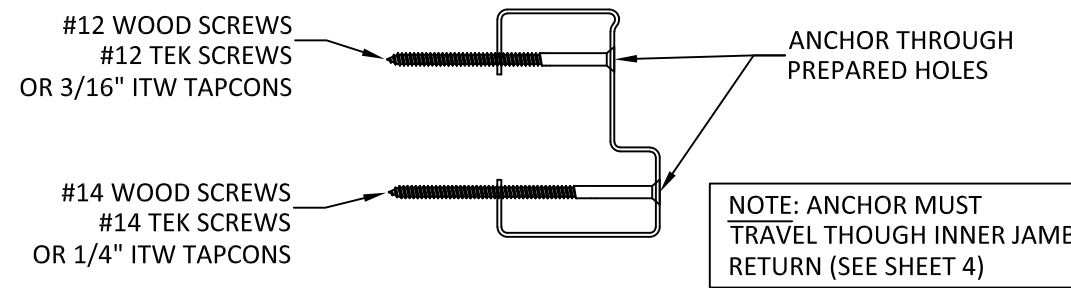
**ELEVATION**



**ANCHOR LAYOUT**



**LOCK JAMB TYP. ANCHOR PLACEMENT**



**HINGE JAMB TYP. ANCHOR PLACEMENT**

**PLYCO**

PLYCO CORPORATION

P.O. BOX 386  
 500 INDUSTRIAL RD.  
 ELKHART LAKE, WI 53020  
 PH: (920) 876-3611 FAX: (920) 876-3527

TITLE: SERIES 20EV FLUSH STEEL OUTSWING DOOR (NON-HVHZ) (NON-IMPACT) ELEVATION & ANCHOR LAYOUT

PREPARED BY: BUILDING DROPS, INC.  
 398 E. DANIA BEACH BLVD., STE. 338  
 DANIA BEACH, FL 33004  
 PH: (954)399-8478  
 FAX: (954)744-4738  
 WEB: www.buildingdrops.com

REMARKS	BY	DATE
FBC 2023 REVISION	FB	09/06/23

THE INSTALLATION DETAILS DESCRIBED HEREIN ARE GENERIC AND MAY NOT REFLECT ACTUAL CONDITIONS FOR A SPECIFIC SITE. IF SITE CONDITIONS CAUSE INSTALLATION TO DEVIATE FROM THE REQUIREMENTS DETAILED HEREIN, A LICENSED ENGINEER OR ARCHITECT SHALL PREPARE SITE SPECIFIC DOCUMENTS FOR USE WITH THIS DOCUMENT.

HERMES F. NORERO  
 LICENSE  
 No. 73778  
 STATE OF  
 FLORIDA  
 PROFESSIONAL ENGINEER  
 HERMES F. NORERO, P.E.  
 FLORIDA LICENSE NO. 73778  
 BUILDING DROPS, INC.  
 398 E. DANIA BEACH BLVD. # 338  
 DANIA BEACH, FL 33004  
 FBPE CERT. OF AUTHORIZATION No. 29578

FL #: **FL15336**

DATE: **01.30.12**

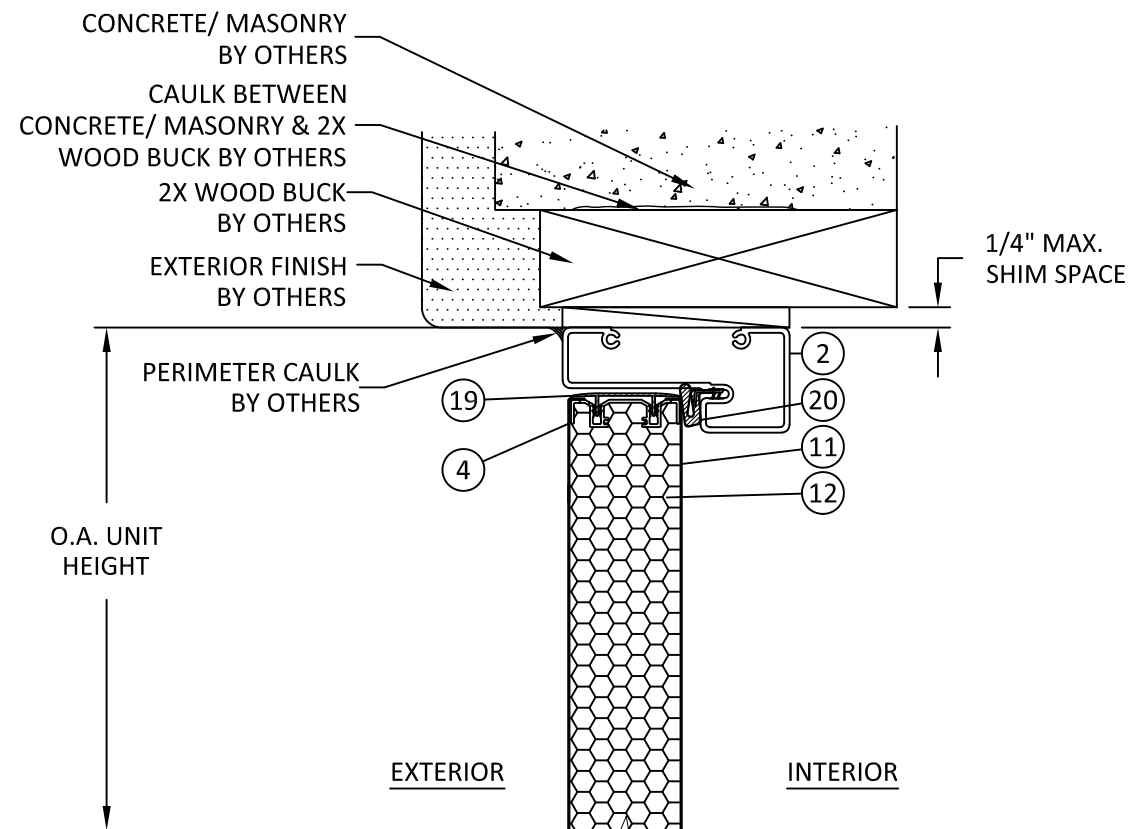
DWG. BY: <b>JLA</b>	CHK. BY: <b>HFN</b>
------------------------	------------------------

SCALE: **NTS**

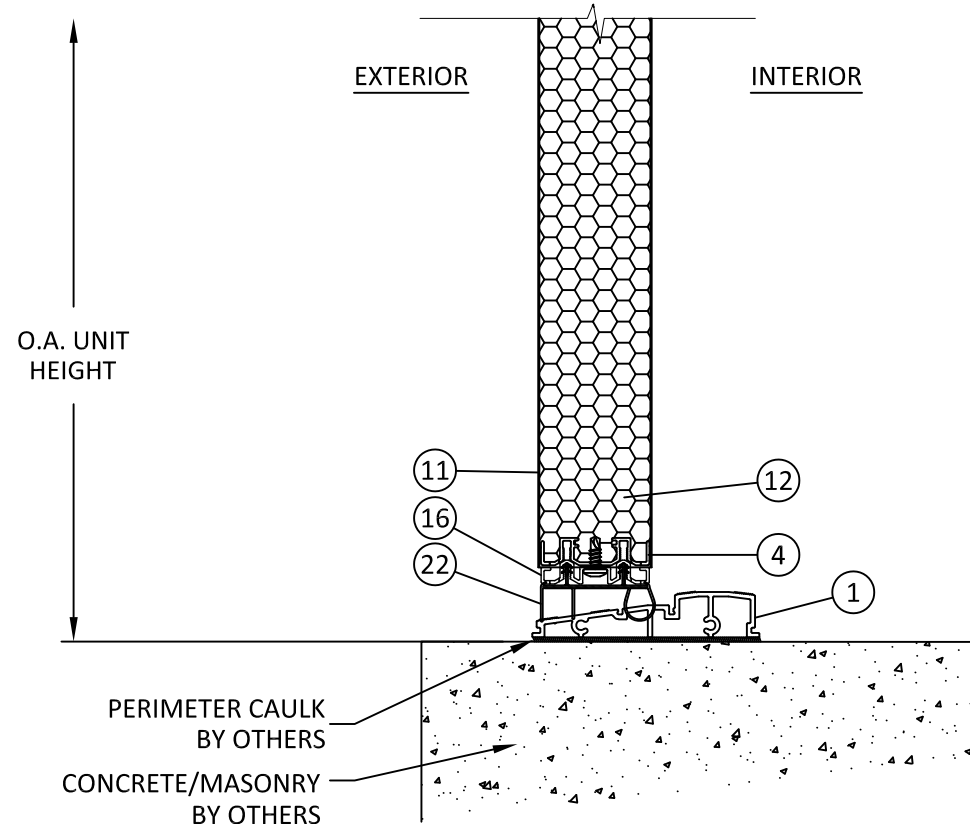
DWG. #: **PCO008**

SHEET:  
**2**  
 OF 5

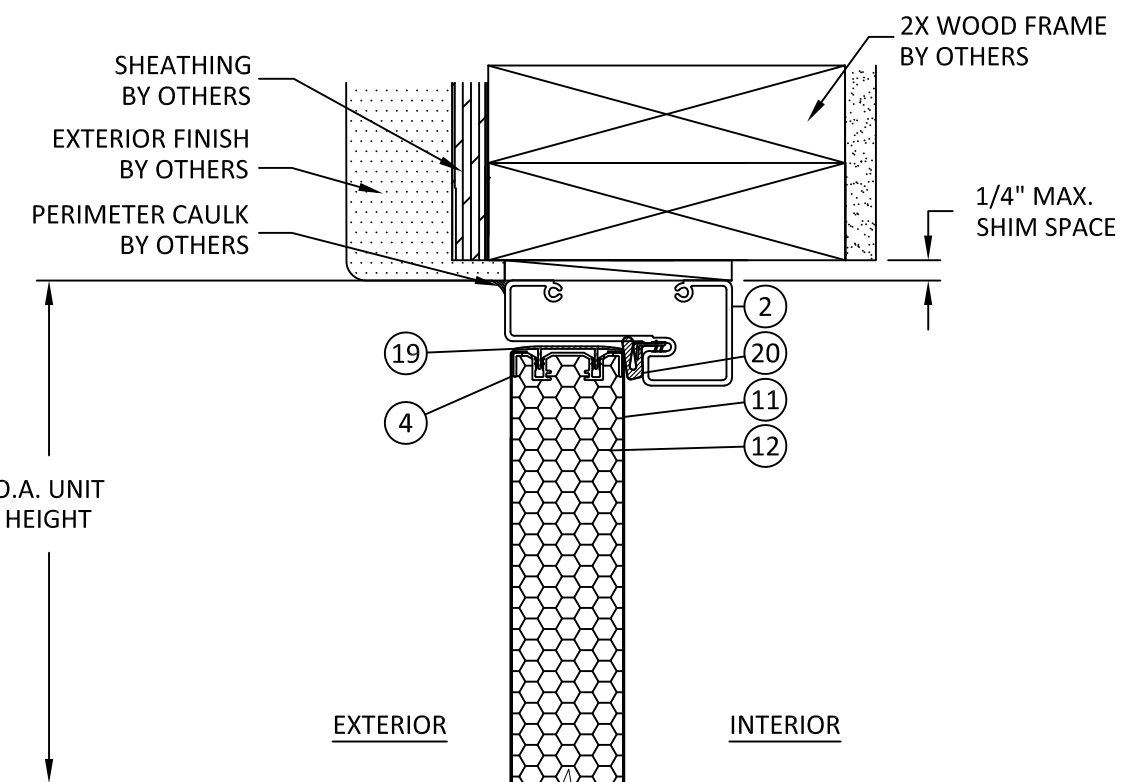
9/7/2023 3:02 PM  
 z:\projects\plyco corp\cc-23-0752 - 2023 code change - series 20ev\dwg\pco008\pco008-fbc2023.dwg



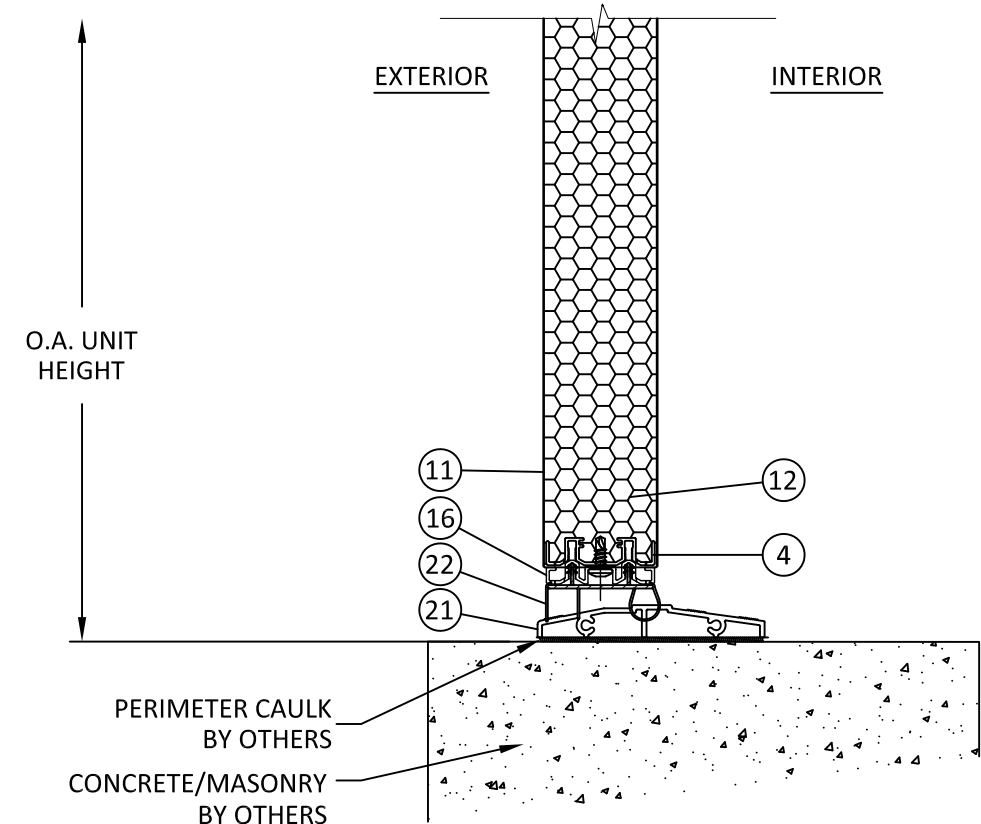
**B**  
**3**  
**VERTICAL SECTION**  
 HEAD - 2X WOOD BUCK



**A**  
**3**  
**VERTICAL SECTION**  
 SILL - CONCRETE/MASONRY



**C**  
**3**  
**VERTICAL SECTION**  
 HEAD - 2X WOOD FRAME



**A1**  
**3**  
**VERTICAL SECTION**  
 SILL - ADA THRESHOLD (OPTIONAL)

# PLYCO

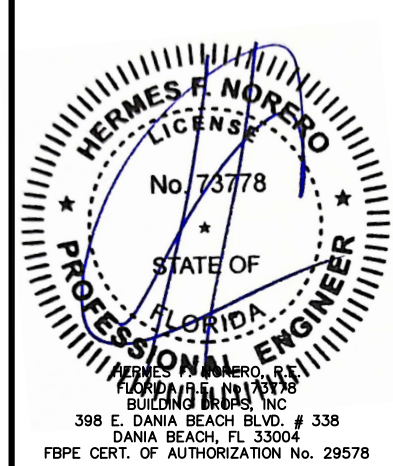
PLYCO CORPORATION  
 P.O. BOX 386  
 500 INDUSTRIAL RD.  
 ELKHART LAKE, WI 53020  
 PH: (920) 876-3611 FAX: (920) 876-3527

TITLE: SERIES 20EV FLUSH STEEL OUTSWING DOOR (NON-HVHZ) (NON-IMPACT) VERTICAL SECTIONS

PREPARED BY: BUILDING DROPS, INC.  
 398 E. DANIA BEACH BLVD., STE. 338  
 DANIA BEACH, FL 33004  
 PH: (954) 399-8478  
 FAX: (954) 744-4738  
 WEB: www.buildingdrops.com

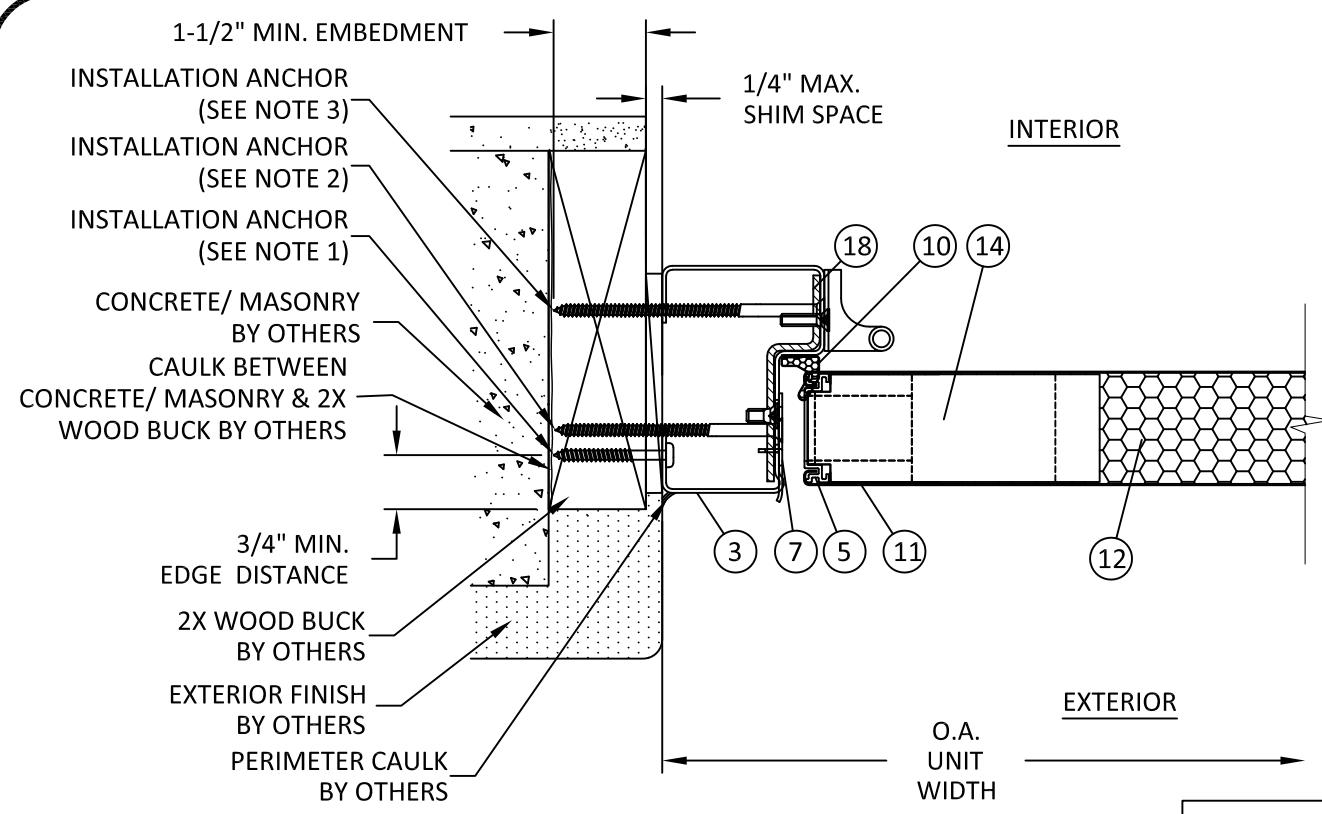
REMARKS	BY	DATE
FBC 2023 REVISION	FB	09/06/23

THE INSTALLATION DETAILS DESCRIBED HEREIN ARE GENERIC AND MAY NOT REFLECT ACTUAL CONDITIONS FOR A SPECIFIC SITE. IF SITE CONDITIONS CAUSE INSTALLATION TO DEVIATE FROM THE REQUIREMENTS DETAILED HEREIN, A LICENSED ENGINEER OR ARCHITECT SHALL PREPARE SITE SPECIFIC DOCUMENTS FOR USE WITH THIS DOCUMENT.

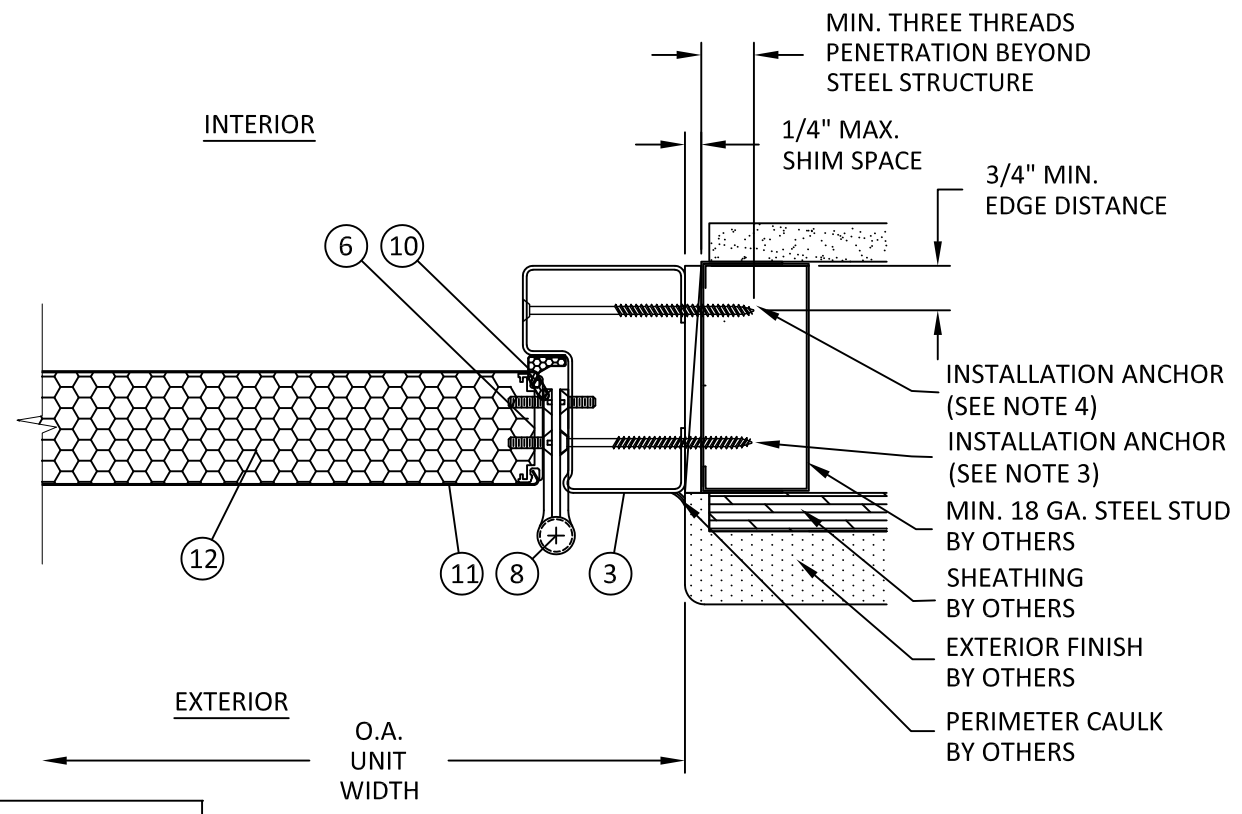


FL #:	<b>FL15336</b>
DATE:	<b>01.30.12</b>
DWG. BY:	<b>JLA</b>
CHK. BY:	<b>HFN</b>
SCALE:	<b>NTS</b>
DWG. #:	<b>PCO008</b>
SHEET:	<b>3</b>
	<b>OF 5</b>

9/7/2023 3:02 PM  
 z:\projects\plyco corp\cc-23-0752 - 2023 code change - series 20ev\dwg\pco008-fbc2023.dwg

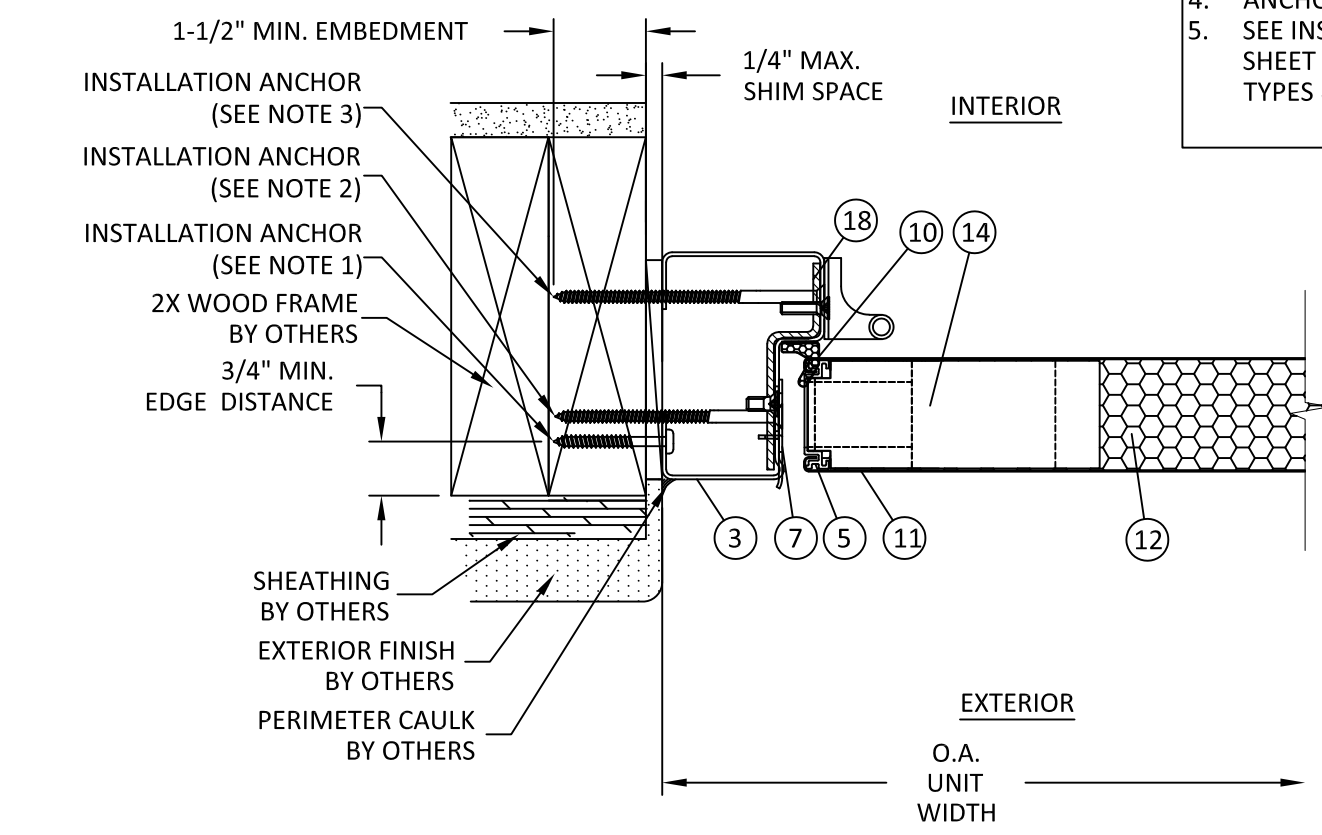


**D**  
**4** **HORIZONTAL SECTION**  
JAMB - 2X WOOD BUCK, TYP.

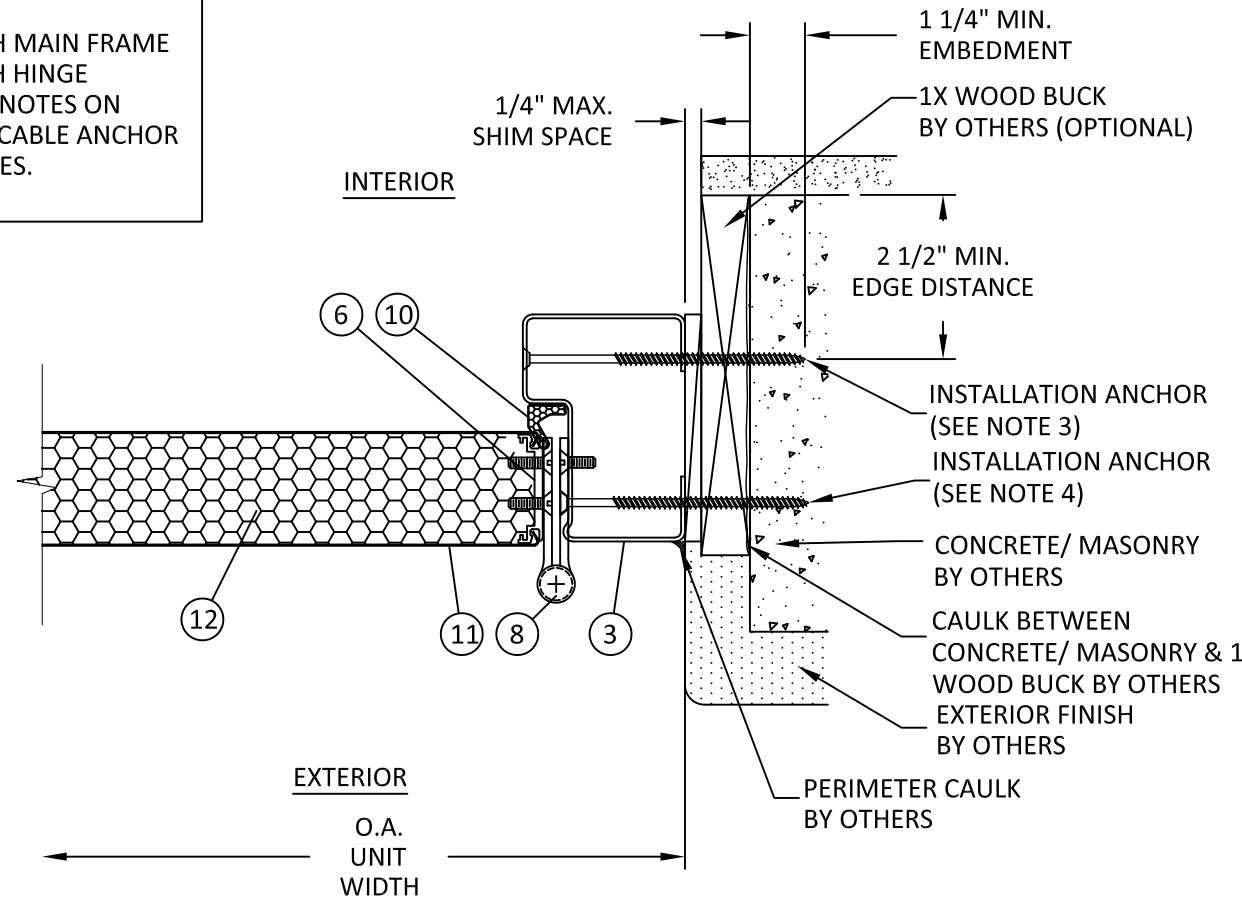


**E**  
**4** **HORIZONTAL SECTION**  
JAMB - STEEL STUD, TYP.

- INSTALLATION ANCHOR NOTES**
1. ANCHOR THROUGH FRAME RETURN
  2. ANCHOR THROUGH STRIKE-SIDE FRAME
  3. ANCHOR THROUGH MAIN FRAME
  4. ANCHOR THROUGH HINGE
  5. SEE INSTALLATION NOTES ON SHEET 1 FOR APPLICABLE ANCHOR TYPES & SUBSTRATES.



**F**  
**4** **HORIZONTAL SECTION**  
JAMB - 2X WOOD FRAME, TYP.



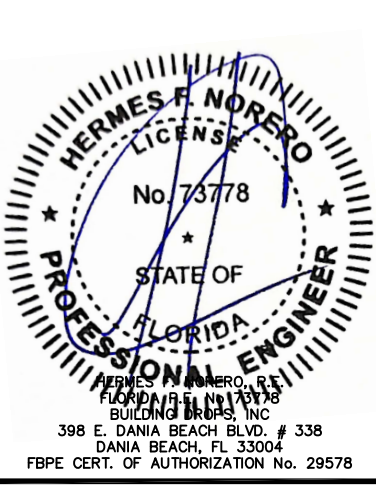
**G**  
**4** **HORIZONTAL SECTION**  
JAMB - MASONRY/CONCRETE, TYP.

**PLYCO**  
 PLYCO CORPORATION  
 P.O. BOX 386  
 500 INDUSTRIAL RD.  
 ELKHART LAKE, WI 53020  
 PH: (920) 876-3611 FAX: (920) 876-3527

TITLE: SERIES 20EV FLUSH STEEL OUTSWING DOOR (NON-HVHZ) (NON-IMPACT) HORIZONTAL SECTIONS  
 PREPARED BY: BUILDING DROPS, INC.  
 398 E. DANIA BEACH BLVD., STE. 338  
 DANIA BEACH, FL 33004  
 PH: (954)399-8478  
 FAX: (954)744-4738  
 WEB: www.buildingdrops.com

REMARKS	BY	DATE
FBC 2023 REVISION	FB	09/06/23

THE INSTALLATION DETAILS DESCRIBED HEREIN ARE GENERIC AND MAY NOT REFLECT ACTUAL CONDITIONS FOR A SPECIFIC SITE. IF SITE CONDITIONS CAUSE INSTALLATION TO DEVIATE FROM THE REQUIREMENTS DETAILED HEREIN, A LICENSED ENGINEER OR ARCHITECT SHALL PREPARE SITE SPECIFIC DOCUMENTS FOR USE WITH THIS DOCUMENT.



FL #: **FL15336**

DATE: **01.30.12**

DWG. BY: <b>JLA</b>	CHK. BY: <b>HFN</b>
---------------------	---------------------

SCALE: **NTS**

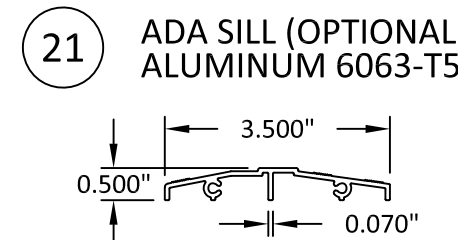
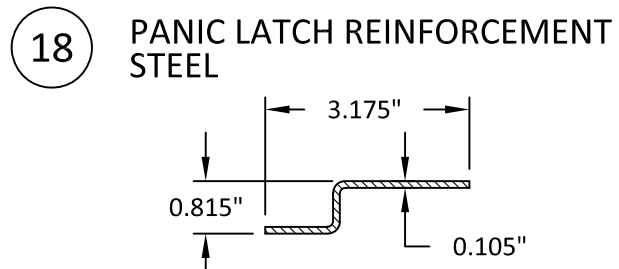
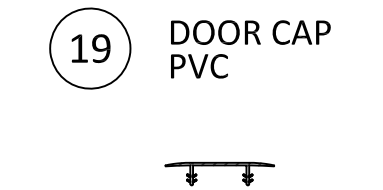
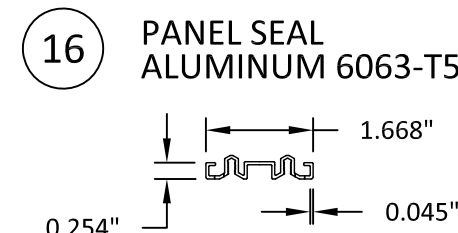
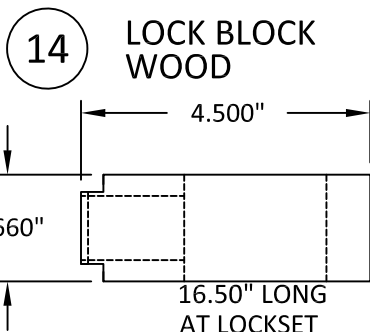
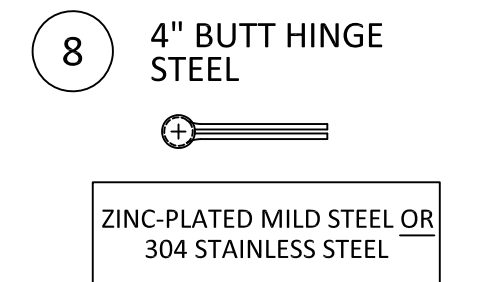
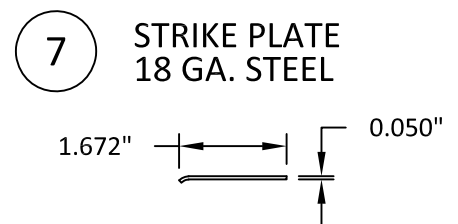
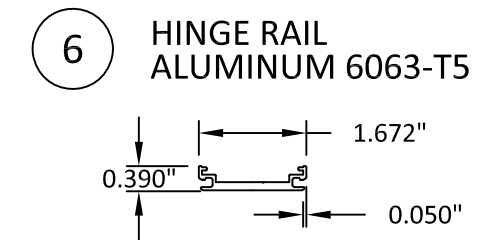
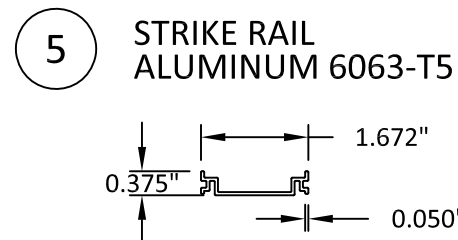
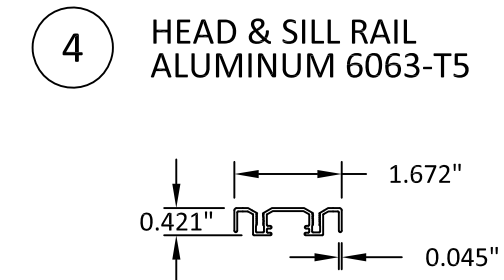
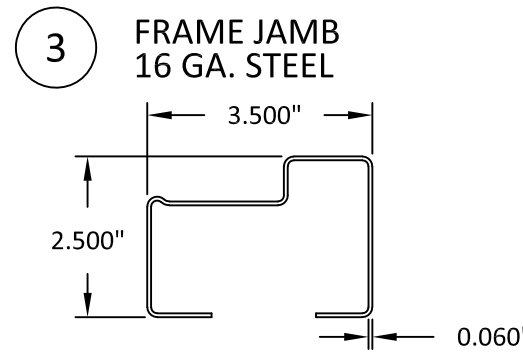
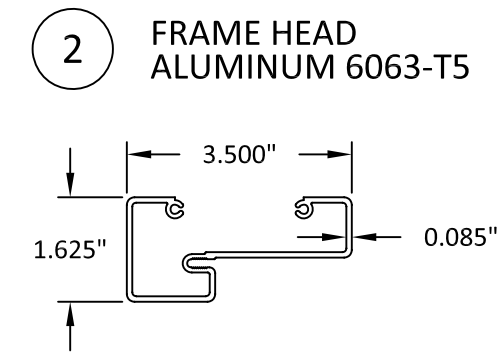
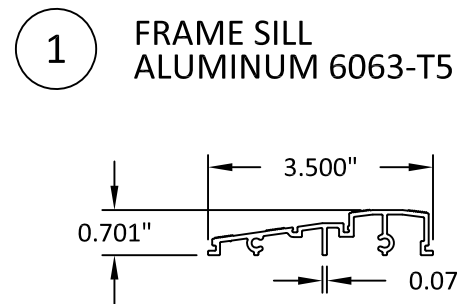
DWG. #: **PCO008**

SHEET: **4** OF 5

## BILL OF MATERIALS

ITEM NO.	DESCRIPTION	PARTS NUMBERS	MATERIAL	MANUFACTURER
1	FRAME SILL	1647	6063-T5	MODERN DOOR
2	FRAME HEAD	1880	6063-T5	MODERN DOOR
3	FRAME JAMB	1539	STEEL	MODERN DOOR
4	HEAD & SILL RAIL	1838-1A	6063-T5	MODERN DOOR
5	STRIKE RAIL	1839	6063-T5	MODERN DOOR
6	HINGE RAIL	1840-B	6063-T5	MODERN DOOR
7	STRIKE PLATE	---	STEEL	MODERN DOOR
8	4" BUTT HINGE	---	STEEL	MODERN DOOR
9	DOOR SWEEP (HEAD)	---	PVC-ALCRYN	MODERN DOOR
10	FOAM FILLED WEATHER SEAL	WS-016	FOAM	MODERN DOOR
11	DOOR SKIN	---	0.021" STEEL	MODERN DOOR
12	PANEL CORE	---	POLYURETHANE	MODERN DOOR
13	---	---	---	---
14	LOCK BLOCK	---	WOOD	MODERN DOOR
15	RIM EXIT DEVICE	---	STEEL	VON DUPRIN
16	PANEL SEAL	1929	6063-T5	MODERN DOOR
17	DOOR SWEEP (SILL)	---	PVC-ALCRYN	MODERN DOOR
18	PANIC LATCH REINFORCEMENT	---	STEEL	MODERN DOOR
19	DOOR CAP	---	PVC	MODERN DOOR
20	WEATHER SEAL	9650	PVC	MODERN DOOR
21	ADA SILL (OPTIONAL)	1572	6063-T5	MODERN DOOR
22	DOOR SWEEP	1852	PVC-ALCRYN	MODERN DOOR

**NOTE:** ALL EXPOSED STEEL COMPONENTS ARE GALVANIZED AND SHOP PRIMED.



# PLYCO

PLYCO CORPORATION

P.O. BOX 386  
500 INDUSTRIAL RD.  
ELKHART LAKE, WI 53020  
PH: (920) 876-3611 FAX: (920) 876-3527

TITLE: SERIES 20EV FLUSH  
STEEL OUTSWING DOOR  
(NON-HVHZ) (NON-IMPACT)  
COMPONENTS &  
BILL OF MATERIALS

PREPARED BY: BUILDING DROPS, INC.  
398 E. DANIA BEACH BLVD., STE. 338  
DANIA BEACH, FL 33004  
PH: (954) 399-8478  
FAX: (954) 744-4738  
WEB: www.buildingdrops.com

REMARKS	BY	DATE
FBC 2023 REVISION	FB	09/06/23

THE INSTALLATION DETAILS DESCRIBED HEREIN ARE GENERIC AND MAY NOT REFLECT ACTUAL CONDITIONS FOR A SPECIFIC SITE. IF SITE CONDITIONS CAUSE INSTALLATION TO DEVIATE FROM THE REQUIREMENTS DETAILED HEREIN, A LICENSED ENGINEER OR ARCHITECT SHALL PREPARE SITE SPECIFIC DOCUMENTS FOR USE WITH THIS DOCUMENT.



FL #: **FL15336**

DATE: **01.30.12**

DWG. BY: **JLA**      CHK. BY: **HFN**

SCALE: **NTS**

DWG. #: **PCO008**

SHEET: **5**  
OF 5